

MC-VEDIO

Energy Product



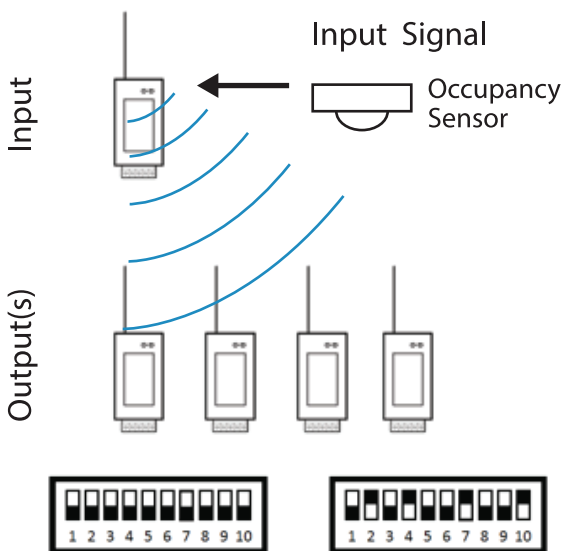
Light Control

MC-VEDIO

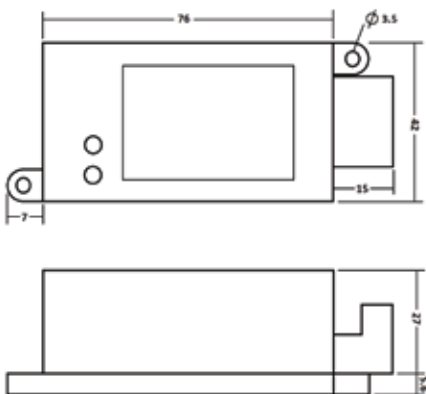
Description

Wireless Lighting Control system designed to be integrated into light fittings. It is a very simple and effective wireless lighting management system. Operates using RF (Radio Frequency) technology that allows Input devices to communicate and control Output devices without any cabling over long distances. The "input signal" can be from various sources but most commonly from an Occupancy Sensor. The addressing of the Input vs. Output is done via 10 channel "dip switch", which allows the units to be pre-programmed off site and 100% flexibility on-site.

Operation



Dimensions



Standard Features

Body	
Housing	Plastic ABS
Colors	Input - Grey Output - Blue
Mounting	Screw / Velcro
Connection	Pluggable Screw Term (2.5mm)
IP Rating	IP20
Output	
Relay	Solid State
Voltage	Input Dependent (250V)
Load	300W
Input	
Type	Live (L) @ 220V or Dry Coat
Protection	
Voltage	Over-Volt
Current	Input - Fuse @ 0.25A Output - Fuse @ 5A
Communication	
Type	Radio Frequency
Frequency	868Mhz ISM Band
No of Input Devices	1024
No of Output Devices	Unlimited
Range	Up to 200m
Addressing	10 Channel Dip Switch
Electrical	
Voltage Input	230V +-5%
Frequency	50Hz
Application	
• Parkade	• Commercial
• Warehouse	• Perimeter

Distributed by

Lite-C



Dean Lotter
 cell: 082 441 4669
 tel: 011 397 7936
 email: deanl@magnetgroup.co.za
 www.magnetgroup.co.za